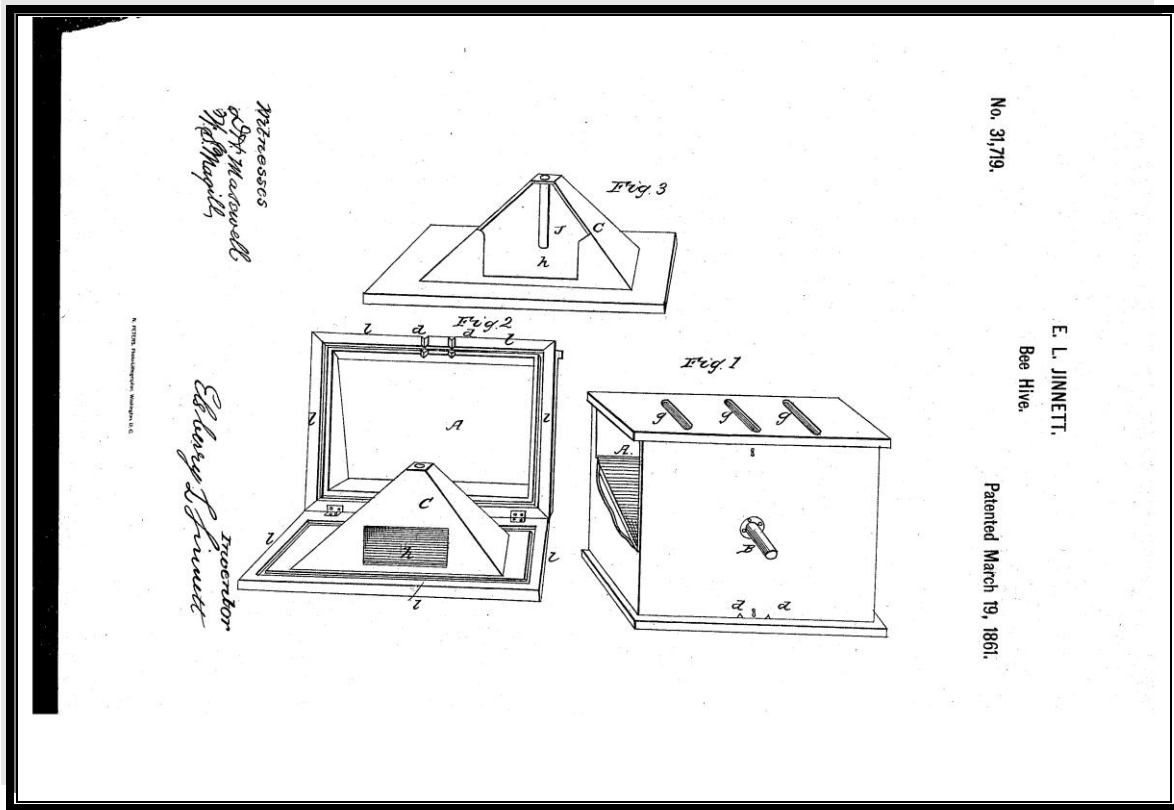


**Index to Vermilion County, IL Inventors from 1835 - 1900**

Compiled by Margaret J. Collins  
 Library Program Specialist  
 Illinois State Library

Charles A. Bantz Derrick	Nov. 15, 1898	614,075	Farm Yard
Oliver J. Bantz	Nov. 15, 1898	614,075	Farm Yard
Elsberry L. Jinnett	Mar. 19, 1861	31,719	Beehive



**ARMSTRONG**

Samuel R. Copeland	May 11, 1880	227,490	Hame Tug
Andrew A. Downey	June 21, 1898	605,948	Farm Gate
Albert W. Knight	Mar. 28, 1893	494,208	Rod
Coupling Device			

**BISMARCK**

George W. Cunningham	Mar. 10, 1891	448,131	Replanting
Attachment for Cultivators			
James M. Ferry	Mar. 10, 1891	448,131	Replanting
Attachment for Cultivators			
John S. Kaylor	May 13, 1890	427,876	Telegraph
Key			
James H. Lewis	Sep. 16, 1884	305,202	Apparatus
for Securing Animals While Being Shod			

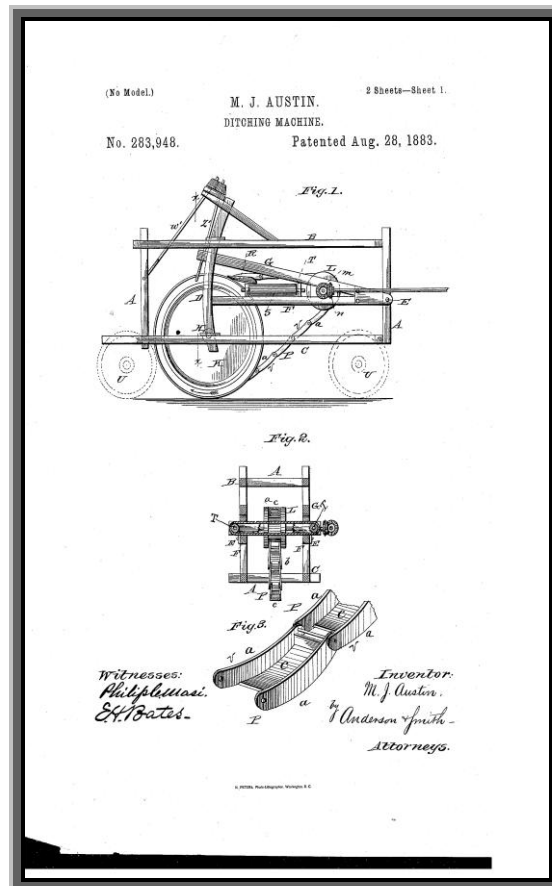
John W. Miller Equalizer	Sep. 25, 1900	658,667	Draft
Casper W. Wood Turfing Fabrics	Dec. 26, 1882	269,770	Machine for

**CHENEYVILLE**

George S. Duffin	Nov. 6, 1894	528,771	Trace
Zacariah Fetters Wagon	Apr. 2, 1895	536,865	Dumping
John Rusk Equalizer	Jan. 2, 1900	640,592	Draft
John Rusk Equalizer	Mar. 5, 1901	669,312	Draft

**DANVILLE**

Charles S. Alderman Reel	Dec. 25, 1888	395,026	Bolting
Willis E. Arnold Making and Driving Machine	Apr. 12, 1892	472,516	Wire Staple
Charles Atkinson Construction of Vehicles	May 26, 1857	17,358	Improved
Matthew J. Austin Machine	Aug. 28, 1883	283,948	Ditching



Pheneas T. Baker  
Register  
Alfred Beard

June 9, 1885

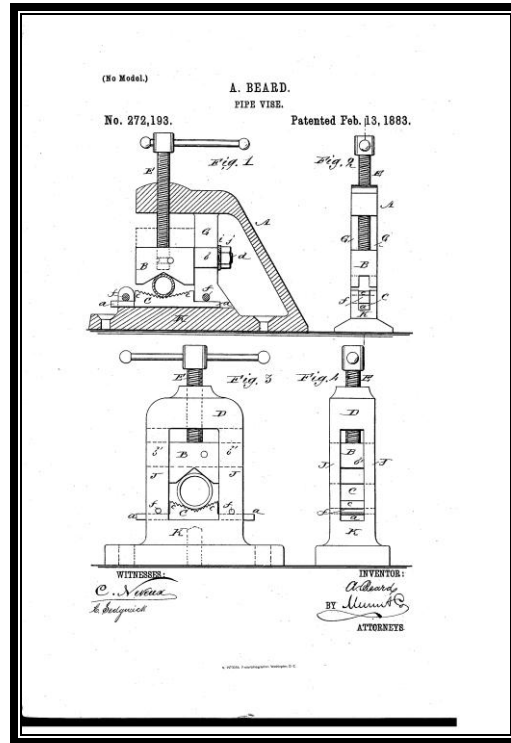
319,594

Grain

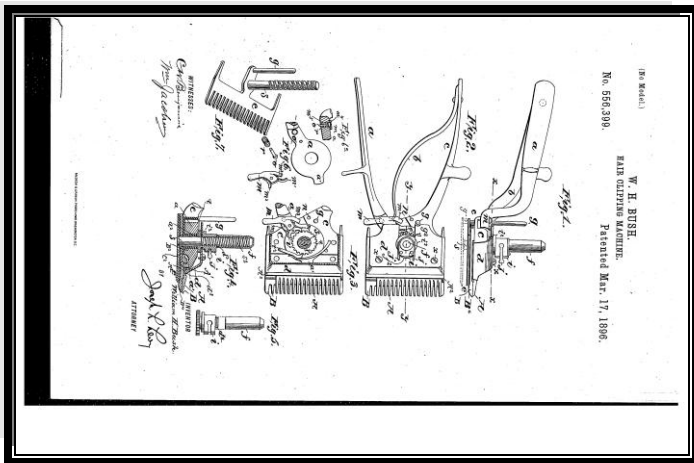
Feb. 13, 1883

272,193

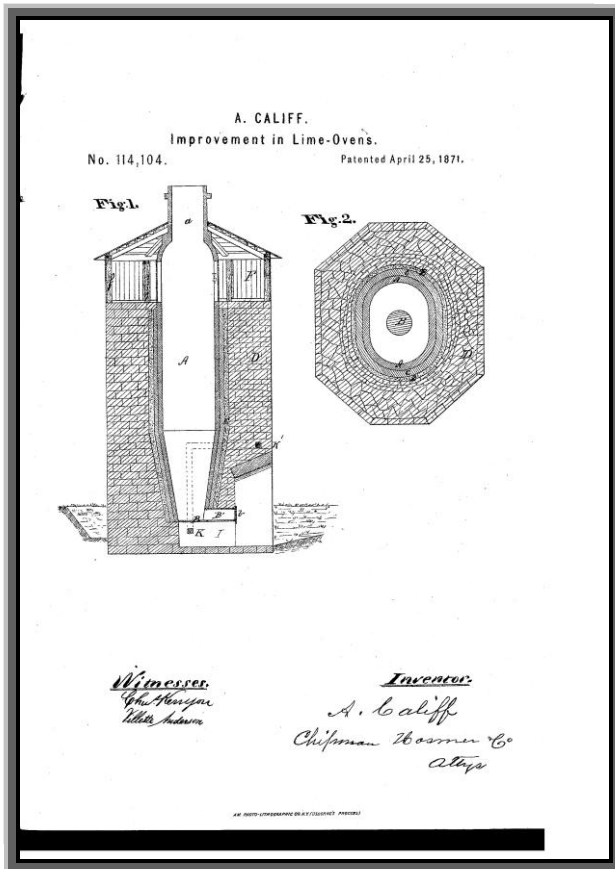
Pipe Vise



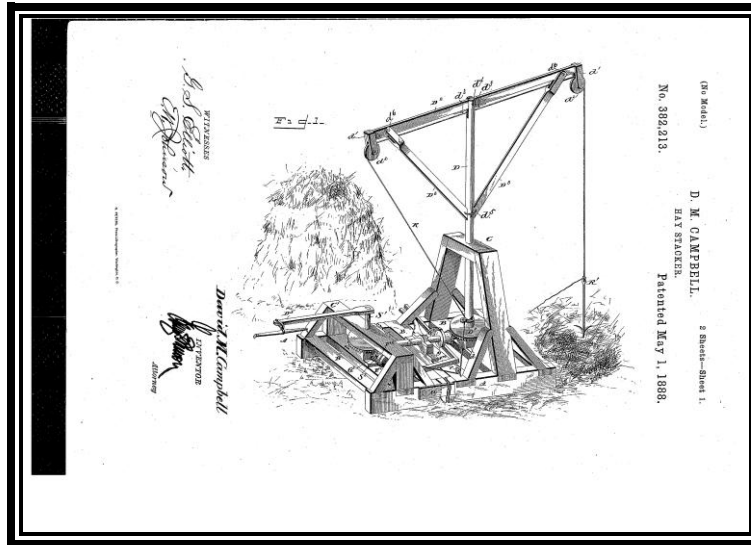
James g. Birely ment in Middlings Separators	Nov. 19, 1872	133,192	Improve-
Anton Bott Covering	Jul. 13, 1897	586,113	Hose
Washington Boyce phic Paper Box	Jul. 27, 1886	346,353	Photogra-
Clinton D. Bradshaw ment in Ditchers and Graders	Sep. 13, 1870	107,393	Improve-
Arthur C. Brancher Heater and Purifier	Feb. 5, 1895	533,523	Feed Water
William B. Brancher Heater and Purifier	Feb. 5, 1895	533,523	Feed Water
Frederick Brandenberger	Nov. 17, 1885	330,555	Paint Mixer
William U. Burgett Hammer	May 30, 1899	625,870	Foot Power
John S. Burton Ornament for Buildings	Jul. 9, 1895	542,517	Gable
William H. Bush Clipping Machine	Mar. 17, 1896	556,399	Hair



August Califfe                      Apr. 25, 1871                      114,104                      Improve-

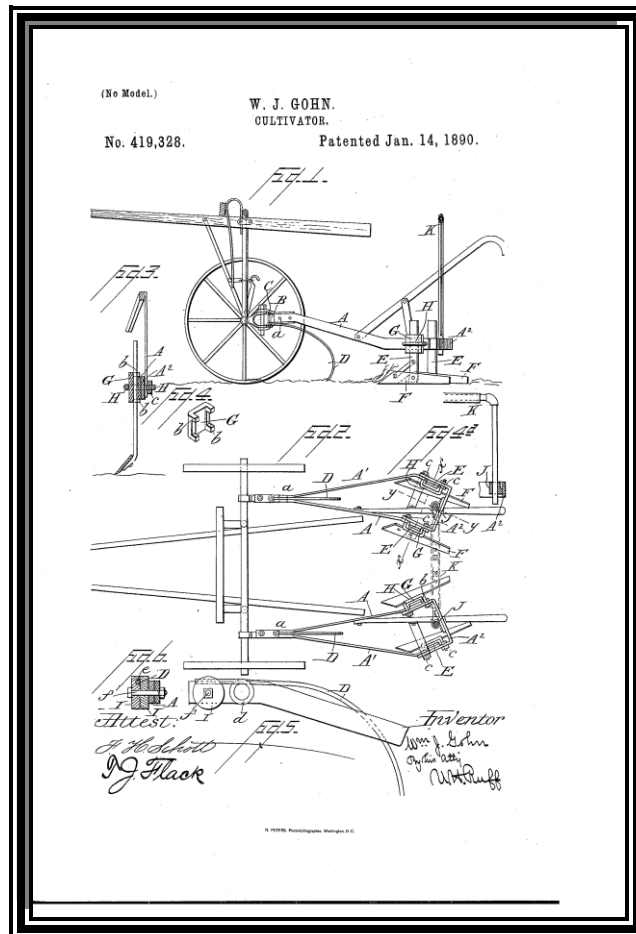


David M. Campbell                      May 1, 1888                      382,213                      Hay  
Stacker



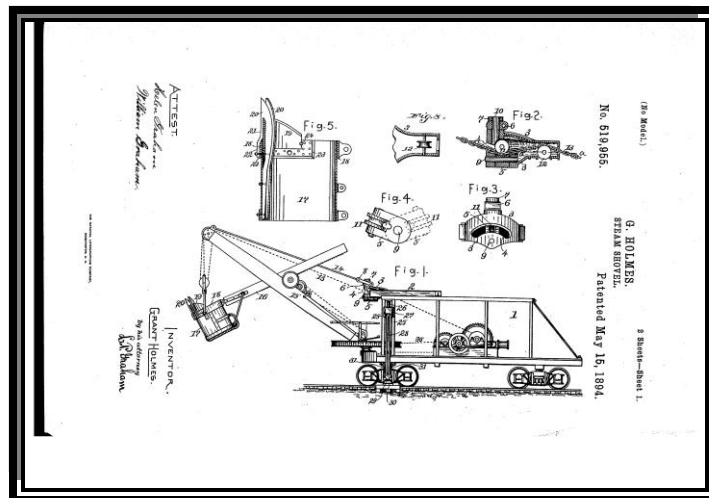
George W. Cannon Coupling	July 6, 1880	229,679	Car
John M. Carson Heater for Stoves, Ranges, or Furnaces	June 9, 1891	453,855	Water
Hulbert H. Clark Apparatus	Sep. 13, 1887	369,839	Fracture
James E. Coe Cleaner	Ma 6, 1884	298,088	Car Track
Allen Cooke Ringer	Apr. 1, 1884	296,139	Steam Bell
Columbus M. Coulter Improvement in Fire Place Heaters	June 26, 1877	192,416	Improve-
Columbus M. Coulter Improvement in Cutter Heads	March 5, 1878	200,980	Improve-
Benjamin Crawford a Fence Post	Jul. 17, 1900	D32,964	Design for
Charles Deamude Coupling	Jul. 6, 1880	229,679	Car
Jacob Deutsch Lifter	Feb. 6, 1894	514,181	Cigar Box
Thomas Diffenbaugh Improvement in Draft Pipes for Locomotives	Aug. 8, 1876	180,853	Improve-
James I. Duncan	Nov. 25, 1884	308,474	Caster
Andrew M. Ernsberger Improvement in Bulletin Boards	Nov. 28, 1871	121,347	Improve-
William R. Firebaugh Coupling	Aug. 31, 1880	231,782	Car
James A. Fleming	Aug. 30, 1898	609,880	Scale Beam

Abraham J. Fox a Pump Body	Oct. 23, 1900	D33,421	Design for
Jacob A. Freese	Apr. 14, 1896	558,060	Gate
Hamlin F. Frisbie Improvement in Mill Bushes	Jan. 10, 1871	110,843	
Hamlin F. Frisbie Improvement in Puppet Valves	Dec. 11, 1877	198,098	Improve-
Hamlin F. Frisbie Improvement in Steam Engine Cylinders	Dec. 11, 1877	198,099	Improve-
Hamlin F. Frisbie Improvement in Puppet Valves	May 21, 1878	204,018	Improve-
Harry Elmer Gilchrist Pipe and Cigar or Cigarette Holder	Jul. 21, 1896	564,482	Tobacco
William J. Gohn Cultivator	Jan. 14, 1890	419,328	Cultivator



William J. Gohn	Oct. 20, 1891	461,674	Cultivator
Charles W. Gregory Improvement in Railway Rail Joints	June 6, 1871	115,630	Improve-

Charles W. Gregory Improvement in Rail Joints	June 6, 1871	RE 8,059	Improve-
William F. E. Gurley	July 27, 1880	230,548	Jewel Case
William J. Hadden Coupling	Feb. 10, 1885	312,114	Car
Charles Hesse Scaffold	June 9, 1885	319,714	Window
Charles Hesse Machine	May 21, 1889	403,669	Washing
George H. Hitchcock Box	Jul. 11, 1893	501,344	Stuffing
Anderson W. Heinly Washing Machine	Aug. 16, 1892	481,027	Dish
John G. Holden Cleaner	May 6, 1884	298,068	Car Track
John G. Holden Driver's Change Box	Oct. 7, 1884	306,252	Street Car
Grant Holmes Shovel	May 15, 1894	519,955	Steam



Robert Holmes  
Packing

Mar. 26, 1895

536,206

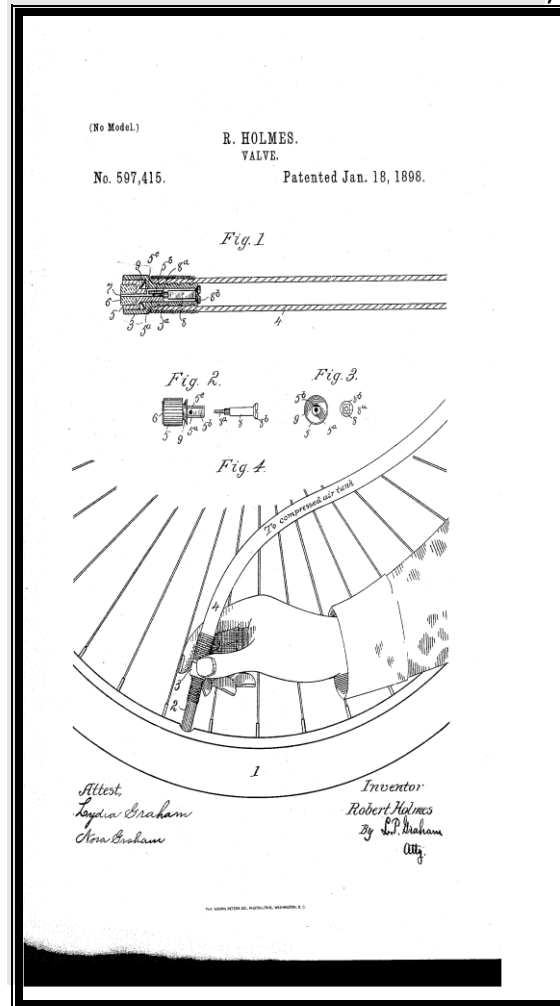
Metallic

Robert Holmes

Jan. 18, 1896

597,415

Valve



Samuel C. Hurley  
Improvement in Portable Fences

Oct. 10, 1876

183,170

Improve-

John W. Jenkins  
Camera

Feb. 21, 1899

620,036

Multiplying

Lysander Johnston

Aug. 27, 1878

207,526

Improvement in Fireplace Air Heaters

Lysander Johnston  
Boiler Furnace

Jan. 5, 1886

333,954

Steam

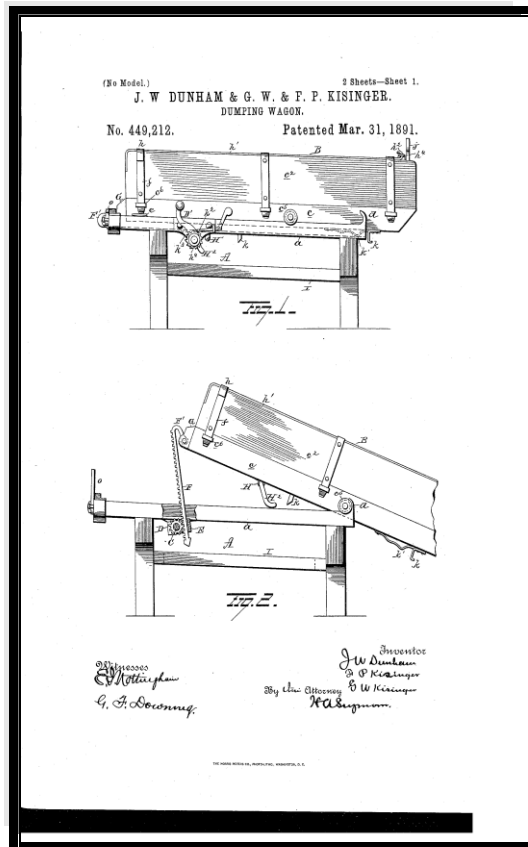
Edwin A. Kimball  
Improvement in Reversible Locks

Mar. 28, 1876

175,354

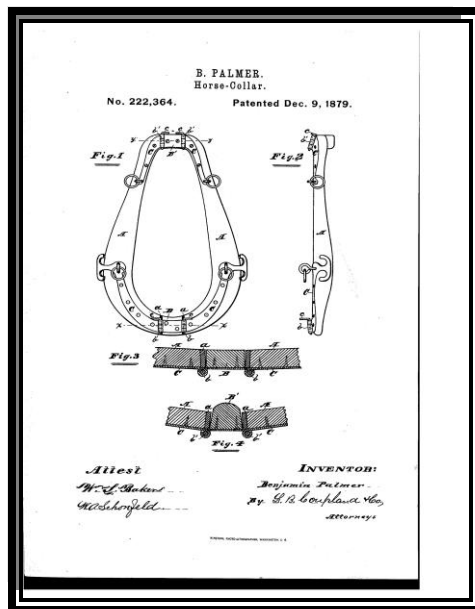
Improve-

Brainard Kingsley Machine	Aug. 13, 1889	409,105	Washing
Frank P. Kisinger Wagon	Apr. 20, 1886	340,494	Dumping
Frank P. Kisinger Wagon	Apr. 5, 1887	360,799	Dumping
Frank P. Kisinger Wagon	Mar. 31, 1891	449,212	Dumping
George W. Kisinger Filling Attachment	Feb. 22, 1867	358,422	Lamp
George W. Kisinger Reflector	Sep. 8, 1885	326,041	Reversible
George W. Kisinger Wagon	Apr. 20, 1886	340,494	Dumping
George W. Kisinger Wagon	Apr. 5, 1887	360,799	Dumping
George W. Kisinger Wagon	Mar. 31, 1891	449,212	Dumping

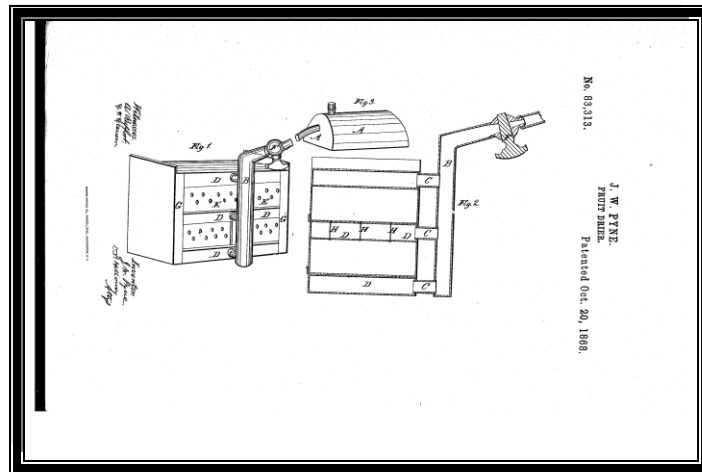


E. F. Lacy Improvement in Hames	May 5, 1868	77,625	Improve-
------------------------------------	-------------	--------	----------

Joseph Lane Paddle Wheel	Mar. 20, 1883	274,345	Feathering
Martin H. Learnard Spring	Feb. 8, 1881	237,557	Furniture
Martin Linck Improvement in Vehicle Wheels	Dec. 2, 1873	145,219	Improve-
G. S. Manning Extension Table	Jan 12, 1869	85,836	Improved
John H. Martin Improvement in Ditchers and Graders	Sep. 13, 1870	107,393	Improve-
John Martin Register	June 9, 1885	319,594	Grain
James M. McMeen Blower	Aug. 28, 1888	388,571	Folding Fire
George E. Morris Improvement in Railway Rail Joints	June 6, 1871	115,630	Improve-
George E. Morris Improvement in Rail Joints	June 6, 1871	RE 8,059	Improve-
Daniel M. Nixon Improvement in Hames	May 5, 1868	77,645	Improve-
Daniel M. Nixon Bridle Bit	Feb. 23, 1869	87,281	Improved
John Nydegger Tool Rest for Grindstones	May 18, 1897	582,674	Tool Rest
Edward Oakes Improvement in Reed Organs	Mar. 11, 1873	136,614	Improve-
Benjamin Palmer Improvement in Horse Collars	Dec. 9, 1879	222,364	Improve-



Joseph N. Peebles	Apr. 19, 1892	473,197	Blowpipe
Christian H. Peters Coupling	Aug. 30, 1887	369,123	Bell Cord
Christian H. Peters Signal Lantern	Jul. 10, 1888	385,877	Railway
George S. Pflasterer Switch and Distant Signal Stand	Feb. 16, 1897	577,171	Combined
Francis M. W. Price Improve-ment in Machines for Mining Coal	Sep. 9, 1873	142,582	
J. Walter Pyne ment in Fruit Driers	Oct. 20, 1868	83,313	Improve-



Leonard Rickard ment in Ditching Machine	Nov. 17, 1868	84,136	Improve-
Jesse Rinehart mixing, and hoisting brick,	June 4, 1835	X8865	Motar,
Julia E. Snapp Cutter for Sewing Machines	June 13, 1893	499,352	Thread
Henry S. Sherman	Jul. 23, 1895	543,406	Gate
Thomas Short ment in Seeding Machines	May 17, 1859	24,059	Improve-
William P. Siddens ment in Car Couplings	June 18, 1872	128,182	Improve-
James F. Smith	Feb. 9, 1886	335,644	Cultivator
Fredrick Troxel ation Preventive	Mar. 18, 1884	295,309	Incrust-



Samuel Dement Dropper	Nov. 13, 1883	288,817	Seed
Samuel C. Guingrich	Oct. 31, 1899	635,836	Seed Sower
Samuel d. Palmer Dropper	Nov. 13, 1883	288,817	Seed
Henry C. Ziegenhorn	Oct. 31, 1899	635,836	Seed Sower

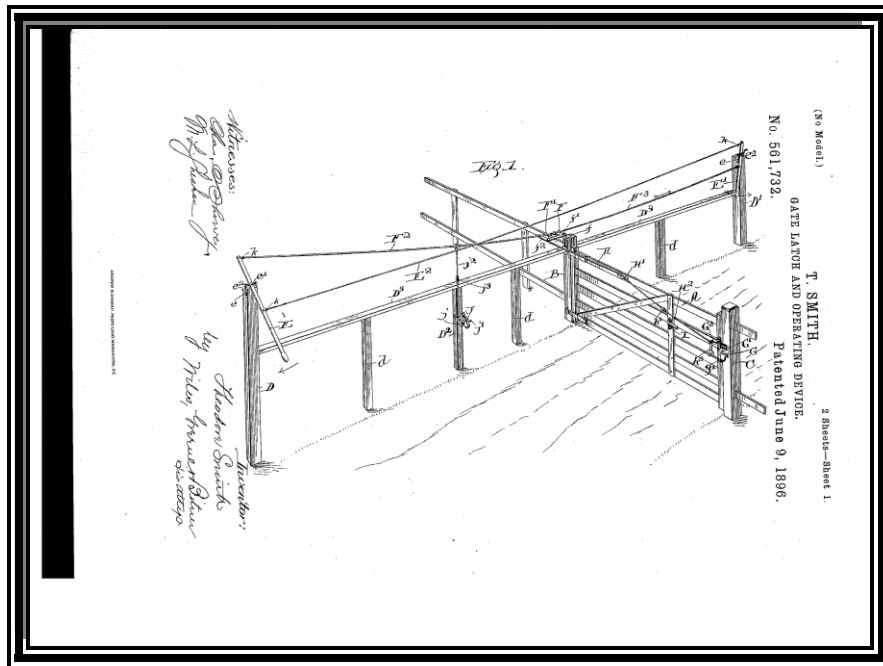
### **FAIRMOUNT**

Dora Ammerman	Mar. 14, 1882	254,897	Tire Cooler
Thomas Baird	Mar. 14, 1882	254,897	Tire Cooler
J. W. Booker ment in Cultivators	May 26, 1863	38,651	Improve-
Herald Catlett	Mar. 31, 1891	449, 204	Flood Fence
Nathan Cheney Wire Fence	May 16, 1882	257,847	Board and
Ebenezer M. Foreman	Mar. 14, 1882	254,897	Tire Cooler
Ebenezer M. Foreman Stake	Feb. 23, 1886	336,647	Wagon
John M. McCabe a Roofing Tile	Jul. 16, 1895	D24,491	Design for
John M. Reese, Jr.	Feb. 23, 1886	426,472	Fence Post
Edwin Robertson	Apr. 29, 1890	426,472	Fence Post
Edwin Robertson	Mar. 31, 1891	449, 204	Flood Fence
Edwin Robertson	Apr.13, 1897	580,469	Gate
Thomas Short Grain Drill and Corn Planter	Dec. 6, 1864	45,350	Combined
Thomas Short ment in Gang Plows	Jan. 10, 1865	45,897	Improve-
Thomas Short Cultivator and Harrow	Feb. 7, 1865	46,274	Improved
David R. Turpin	May 3, 1898	603,351	Trestle

### **GEORGETOWN**

Henry E. Hewitt ment in Vegetable Cutters	May 7, 1878	203,452	Improve-
William G. Lumbard ment in Sawing Machines	Jan. 30, 1866	52,204	Improve-
William G. Lumbard ment in Feather Renovators	Oct. 11, 1870	108,161	Improve-

Robert Rice	Apr. 28, 1863	38,337	Improve- ment in Cultivators
Julia E. Snapp	July 25, 1876	180,387	Improve- ment in Spinning Attachments for Sewing Machines
James F. Smith	Sep. 30, 1879	220,185	Improve- ment in Farm Gates
Theodore Smith	June 2, 1896	561,732	Butt Adjuster for Grain Binders
Theodore Smith	June 9, 1896	561,782	Gate Latch and Operating Device



Theodore Smith	Sep. 22, 1896	568,149	Adjusting Device for Butting Boards
Theodore Smith	Jan. 23, 1900	641,748	Adjustable Bracket
Theodore Smith	Oct. 16, 1900	659,702	Means for Suspending Incandescent Electric Lights

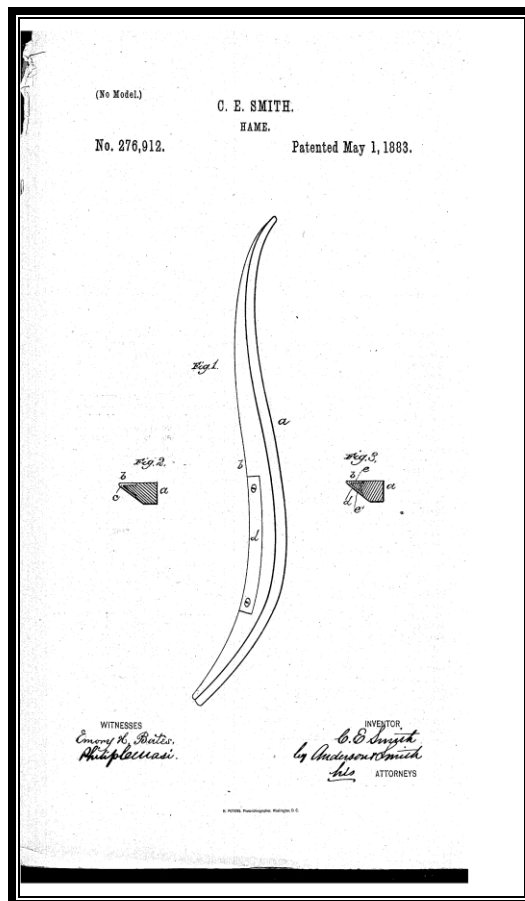
**GLENBURN**

Charles Swan	Jul. 21, 1891	456,446	Mine Door
George M. Whaite	Jul. 21, 1891	456,446	Mine Door

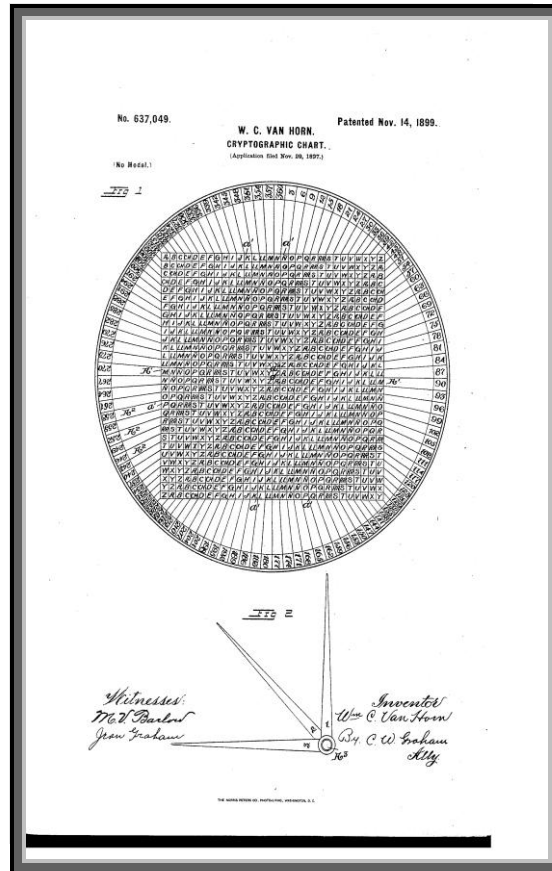
**HOOPESTON**

Willard W. Abbott	Aug. 21, 1894	524,696	Device for Removing Can Holding Crates from Retorts
-------------------	---------------	---------	--

Edward Erickson Gate	Nov. 7, 1899	638,509	Railway
James A. Fleming Coupling	Aug. 6, 1889	408,606	Car
John Green Removing Can Holding Crates from Retorts	Aug. 21, 1894	524,696	Device for
John L. Hamilton, Jr. Handle Bar	May 24, 1896	604,389	Adjustable
Millard J. Hawkins Machine	Sep. 4, 1900	657,216	Can Wiping
Shubael E. Hewes ment in Meat Choppers	Dec. 5, 1876	185,104	Improve-
Peter G. Johnson ment in Plows	Apr. 11, 1876	176,001	Improve-
Florence S. Miller	Nov. 5, 1889	414,562	Dishwasher
Aaron Ritter Trestle	Sep. 21, 1897	590,278	Extensible
Charlie E. Smith	May 1, 1883	276,912	Hame



Charles A. Smyth Battery	Jan. 15, 1884	292,142	Secondary
William C. Van Horn Refillable Bottle	Oct. 11, 1898	612,286	Non-
William C. Van Horn graphic Chart	Nov. 14, 1899	637,049	Crypto-



Elbert F. Wilcox Improvement in Sawing Machines	July 30, 1878	206,512	Improve-
<b><u>INDIANOLA</u></b>			
William R. Clark Ditching Plow	Sep. 10, 1867	68,697	Improved
William R. Clark	Nov. 23, 1869	97,168	Fruit Drier
Steven G. Davis Stump Extractor	Jan. 4, 1898	596,961	Rock or
E. E. Fisher Improvement in Horse Shoe Nail Clincher	Mar. 30, 1869	88,378	Improve-
Franklin Miller Improvement in Spring Fasteners for Carriages	Mar. 7, 1876	174,428	Improve-
Franklin Miller	Jul. 26, 1898	607,865	Car Mover
George W. Rittenhouse	Jul. 26, 1898	607,885	Car Mover

### **NEAR ALLERTON**

William Heaton a Cattle Shed	Jul. 18, 1899	D31,252	Design for
---------------------------------	---------------	---------	------------

### **OAKWOOD**

William J. Gohn Cultivator	May 14, 1889	403,426	Corn
William J. Gohn	May 20, 1890	428,559	Cultivator
George Southard	Oct. 22, 1878	209,141	Improve-
ment in Temporary Binders for Manifold Writing			
Joseph Truax	Oct. 4, 1898	611,659	Wire Fence

### **RANKIN**

Karl Hurlman Conveyer	Mar. 1, 1898	599,785	Grain
William Marshall Hog Trap and Crate	Aug. 1, 1899	629,865	Combined

### **RIDGE FARM**

Josephus Baum Connection for Harvesters	Mar. 10, 1891	447,930	Pitman
Paris Mills ment in Corn Planters	Oct. 27, 1863	40,423	Improve-
John M. Patterson Machine	Mar. 16, 1886	337,959	Fence
H. C. Smith ment in Gang Plows	Jan. 2, 1866	51,875	Improve-

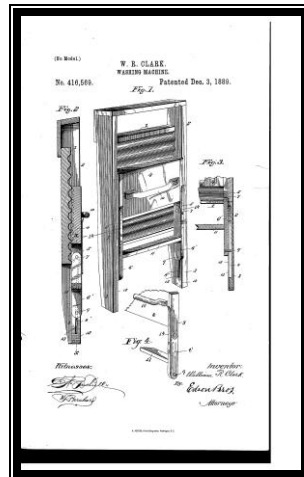
### **ROSSVILLE**

Lorey T. Austin Machine Attachment	Nov. 13, 1894	528,915	Thrashing
Lorey T. Austin Cutter and Feeder	May 21, 1895	539,750	Band
Byron E. Cronkhite Cutter and Feeder	May 21, 1895	539,750	Band
Byron E. Cronkhite Trestle	Apr. 3, 1900	646,620	Knockdown
George W. Gardner Stopper Extractor	Feb. 7, 1893	491,306	Bottle
George D. Huffman Grader and Ditcher	Apr. 20, 1886	340,119	Combined
Lucian Knight Hame Clip and Section	Dec. 12, 1893	510,687	Combined

John h. McElroy Writing Machine	Feb. 21, 1899	619,777	Type
Joseph Newman ment in Bee Hives	Mar. 18, 1873	136,933	Improve-
Charles H. Pierce Coupling	Sep. 9, 1890	436,260	Car
Isaac B. Werner ment in Curtain Fixtures	Sep. 24, 1872	131,643	Improve-

**SIDELL**

Willis B. Cauble Stamp	Jan. 9, 1900	641,189	Hand
William R. Clark Machine	Dec. 3, 1889	416,569	Washing



William T. Gilkey Clam	Sep. 12, 1899	632,997	Wagon Box
George R. Sharf Form	Dec. 26, 1899	639,779	Display
Samuel W. Starks Stamp	Jan. 9, 1900	641,189	Hand

**WESTVILLE**

William G. Halbert Machine	JULY 12, 1898	607,170	Mining
William G. Halbert Cage	Nov. 28, 1899	638,114	Dumping

**Endnotes:**

Inventor's residence is determined by the residence on the patent.

Resources :

Illinois State Library Patent and Trademark Depository Library.

[http://www.cyberdriveillinois.com/departments/library/what\\_we\\_have/patents\\_and\\_trademarks/home.html](http://www.cyberdriveillinois.com/departments/library/what_we_have/patents_and_trademarks/home.html)

United States Patent and Trademark Office. <http://www.uspto.gov/patft/index.html>  
Google Patents. <http://www.google.com/patents>.

Margaret J. Collins  
Library Program Specialist  
Patent and Trademark Depository Library  
Illinois State Library  
300 South Second Street  
Springfield, IL 62701-1786  
(217) 782-5659  
FAX (217) 782-8432  
mcollins@ilsos.net

Jesse White, Illinois Secretary of State and State Librarian  
**10/17/2008 9:42:52 AM**