

INDEX OF VIRGINIA AFRICAN AMERICAN INVENTORS

1880-2006

Compiled by

Margaret J. Collins

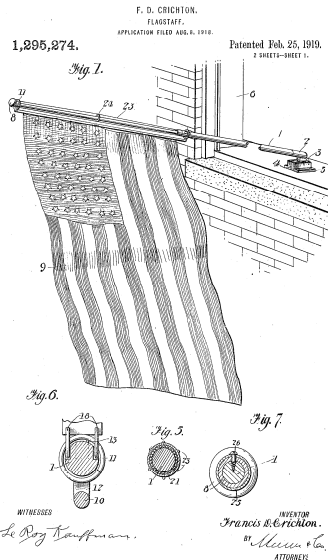
Library Program Specialist

Patent and Trademark Depository Library

Illinois State Library

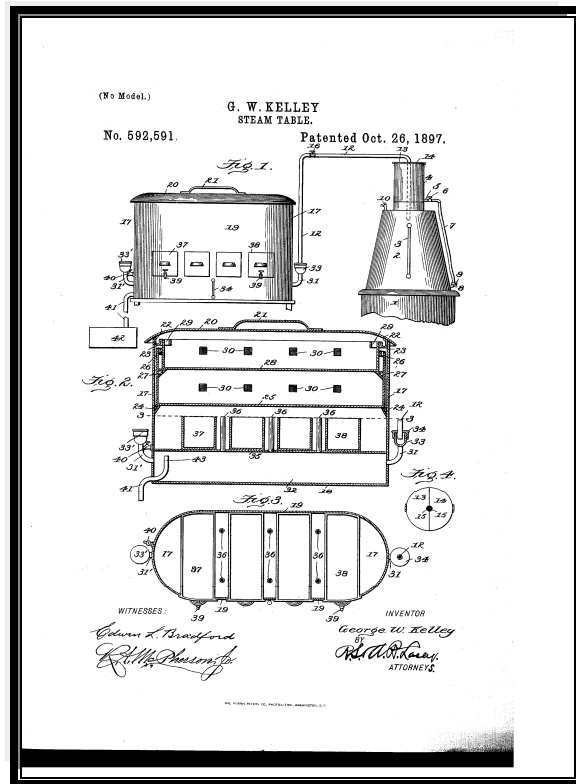
VA

George Edward Alcorn	Oct. 23, 1979	4,172,004	Method for Forming Dense Dry Etched Multi-Level Metallurgy with Non-Overlapped Vias
George Edward Alcorn	May 6, 1980	4,201,800	Hardened Photoresist Master Image Mask Process
George Edward Alcorn	Sep. 15, 1981	4,289,834	Dense Dry Etched Multi-Level Metallurgy with Non-Overlapped Vias
George Edward Alcorn	Sep. 18, 1984	4,472,728	Imaging X-ray Spectrometer
George Edward Alcorn	Sep. 24, 1985	4,543,442	GaAs Schottky Barrier Photo-Responsive Device and Method of Fabrication
George Edward Alcorn	Oct. 21, 1986	4,618,380	Method of Fabricating an Imaging X-ray Spectrometer
Nathaniel Alexander	July 4, 1911	997,108	Folding Chair
Carl R. Amos	Nov. 29, 1994	5,369,511	Methods of and Apparatus for Manipulating Electromagnetic Phenomenon
Samuel G. Bailey	Sep. 1, 1987	4,690,655	Talking Marionette with Theatre
Charles A. Bankhead	July 16, 1963	3,097,594	Assembled Composition Printing Process
Charles H. Carter	Apr. 4, 1911	988,860	Cod Skinning Machine
Charles H. Carter	Oct. 25, 1921	1,394,711	Automatic Fish Cleaner
David W. Cox, Jr.	Feb. 13, 1990	4,899,409	Manual tool for preparing tube ends for jointure
Francis D. Crichton	Feb. 25, 1919	1,295,274	Flagstaff

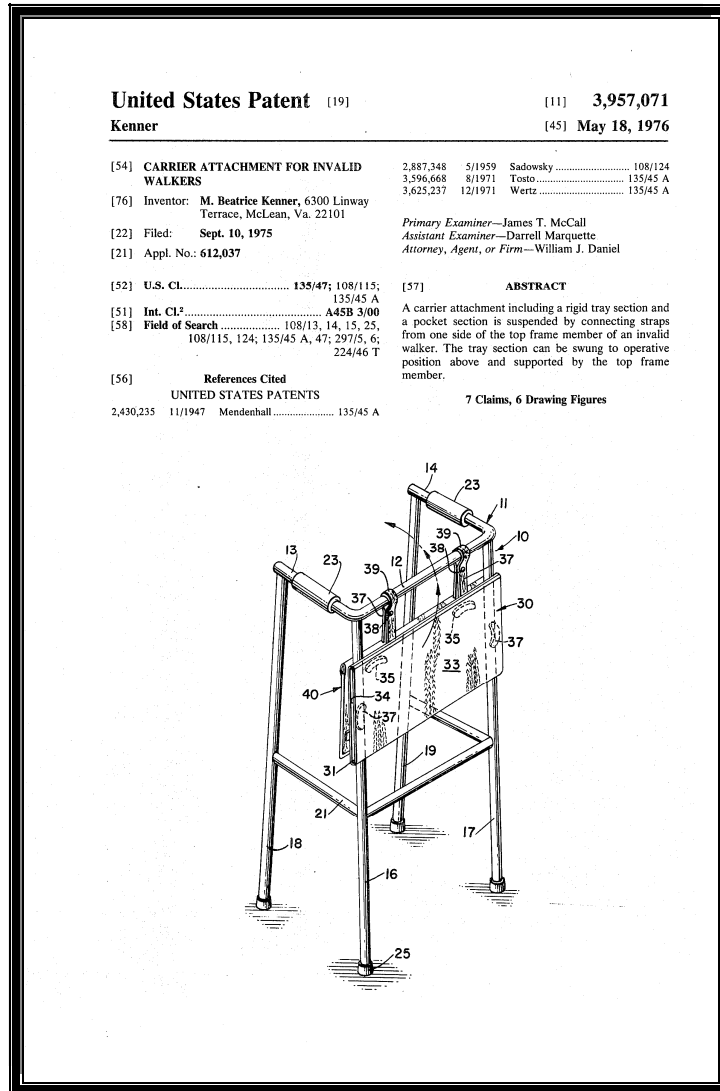


Francis D. Crichton	Apr. 26, 1932	1,855,824	Flagstaff
Essex Deloatch	June 6, 1916	1,186,085	Dining or
Lunch Room Serving Table			
Leary Dickerson	Sep. 30, 1924	1,510,313	Oyster
Punching Device			
Leary Dickerson	Oct. 20, 1942	2,299,311	Oyster
Punching Machine			
Leary Dickerson	July 6, 1948	2,444,636	Oyster
Punching Machine			
Willie L. Edmonds	June 7, 1988	4,749,209	Collapsible
Fishing Gear and Load Bearing Carriage			
Joseph W. Gilliard	Apr. 17, 1934	2,771,200	Car Park
Virginia E. Hall	Apr. 5, 1977	4,016,314	Em-
broidered Fruit Bowl Wall Hanging and Kit for Making Same			
Lawrence Harbin	July 10, 2001	6,257,227	Barbecue
Grill Providing Hot Water Heating, Steam and/or Power			
Lawrence Harbin	June 18, 2002	6,405,641	Cookware
for Vertical Hearth Barbecue Grill			
Lawrence Harbin	July 2, 2002	6,412,480	Detachable
Legs for Vertical Hearth Barbecue Grill			
Minnis Headen	Oct. 5, 1886	350,363	Foot Power
Hammer			
Benjamin Hicks	Mar. 18, 1890	423,686	Peanut
Planter			

Benjamin Hicks	Dec. 10, 1901	688,519	Machine for Stemming and Cleaning Peanuts or Green Peas
Benjamin Hicks	Feb. 24, 1920	1,332,125	Fertilizer Distriubuter
Aaron C. Jackson	Aug. 13, 1991	5,039,107	Football Board Game Directed to Simulating Athletic Competition
Andre' J. Jackson	Oct. 6, 1984	4,476,879	Apparatus for and Methods of Collecting Urine from Laboratory Animals
Andre' J. Jackson	Dec. 17, 1985	4,558,807	Umbrella Holder
Jerome D. Jackson	Jan. 26, 1999	5,864,301	Systems and methods employing a plurality of signal amplitudes to identify an object
Jerome D. Jackson	Mar. 28, 2000	6,043,755	Systems and Methods Employing A Plurality of Signal Amplitudes to Record the Presence of Multiple Objects
Clinton Jones	June 21, 1949	2,474,054	Electric Release for Toy Guns
Willie G. Jones, Sr.	Apr. 6, 1976	3,948,516	Basketball Rim and Net Structure
George W. Kelley	Oct. 26, 1897	592,591	Steam Table



Mary B. Kenner	Sep. 9, 1987	4,696,068	Shower
Wall and Bathtub Mounted Back Washer			
Mary B. Kenner	Oct. 19, 1982	4,354,643	Bathroom
Tissue Holder			
M. Beatrice Kenner	May 18, 1976	3,957,071	Carrier
Attachment for invalid walkers			



United States Patent [19] [11] **3,957,071**
Kenner [45] **May 18, 1976**

[54] **CARRIER ATTACHMENT FOR INVALID WALKERS** 2,887,348 5/1959 Sadowsky 108/124
3,596,608 8/1971 Tosto 135/45 A
3,625,237 12/1971 Wertz 135/45 A

[76] Inventor: **M. Beatrice Kenner**, 6300 Linway Terrace, McLean, Va. 22101

[22] Filed: **Sept. 10, 1975**

[21] Appl. No.: **612,037**

[52] **U.S. Cl.**..... **135/47; 108/115; 135/45 A**

[51] **Int. Cl.**..... **A45B 3/00**

[58] **Field of Search** 108/13, 14, 15, 25, 108/115, 124; 135/45 A, 47; 297/5, 6; 224/46 T

[57] **ABSTRACT**
A carrier attachment including a rigid tray section and a pocket section is suspended by connecting straps from one side of the top frame member of an invalid walker. The tray section can be swung to operative position above and supported by the top frame member.

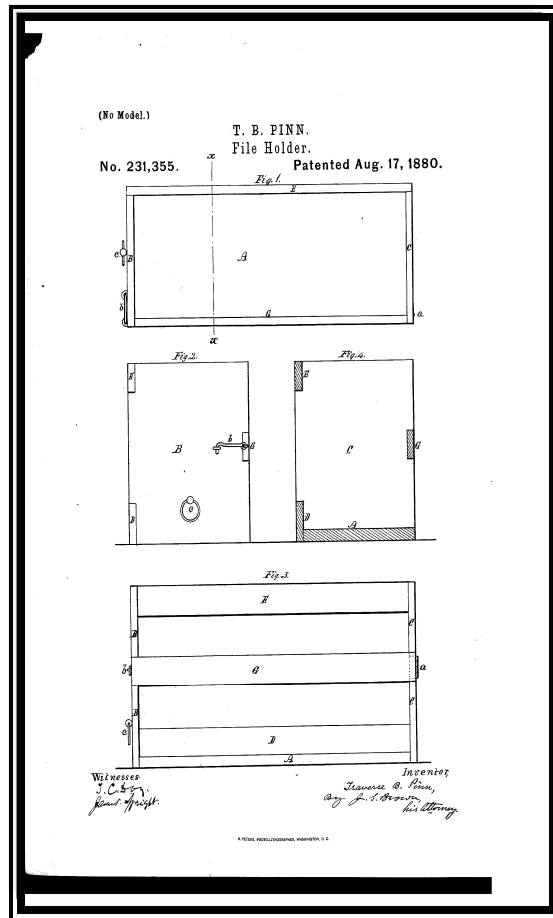
[56] **References Cited**
UNITED STATES PATENTS
2,430,235 11/1947 Mendenhall 135/45 A

Primary Examiner—James T. McCall
Assistant Examiner—Darrell Marquette
Attorney, Agent, or Firm—William J. Daniel

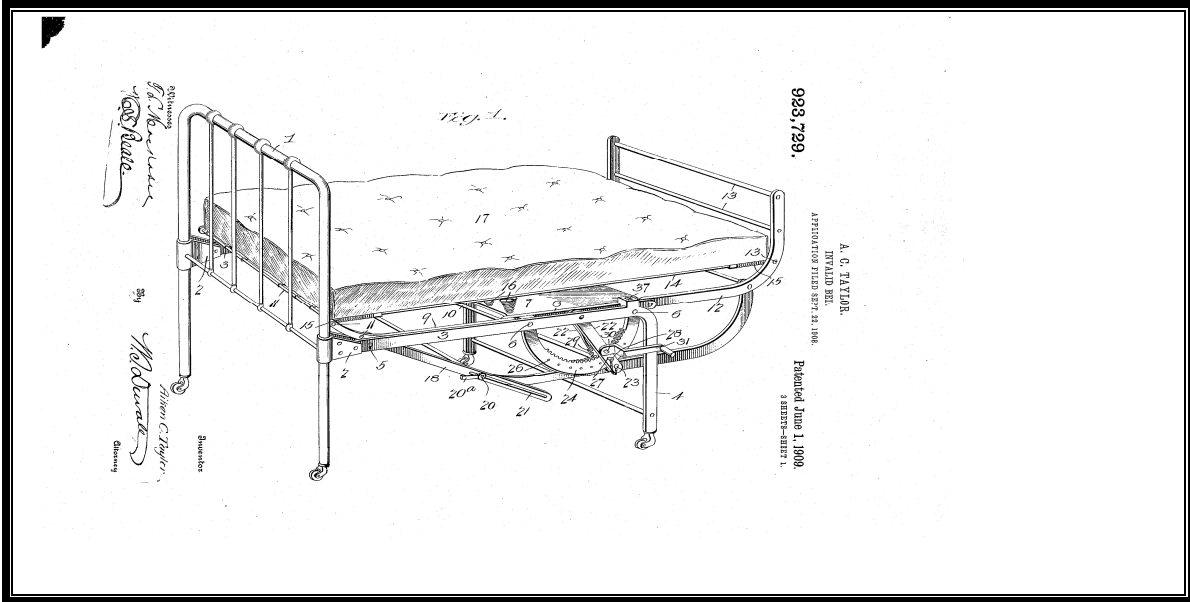
7 Claims, 6 Drawing Figures

Leo Pierre	Aug. 21, 1945	D142,263	Design for a
Combination Tool			
Emanuel L. Logan, Jr.	May 11, 1982	4,328,985	Timing
apparatus for delaying opening of doors			
Emanuel L. Logan, Jr.	Oct. 19, 1982	4,354,699	Apparatus
for Delaying Opening of Doors			

Emanuel L. Logan, Jr.	August 21, 1984	4,466,208	Emergency Exit Sign Utilizing an Electro-luminescent (EL) Lamp and a Brightness Monitor
Emanuel L. Logan, Jr.	Sep. 11, 1984	4,470,625	Emergency Exit Door Latch with Hydraulic and Electronic Delay
Emanuel L. Logan, Jr.	Dec. 18, 1984	4,489,308	Emergency Exit Indicators
Emanuel L. Logan, Jr.	Sep. 10, 1985	4,540,208	Point-of-egress Control Device for Safely Securing Emergency Exit Doors
Donald R. Lyons	Sep. 3, 1996	5,552,882	Methods of and Apparatus for Calibrating Precisely Spaced Multiple Transverse Holographic Gratings in Optical Fibers
Donald R. Lyons	Nov. 18, 2003	6,650,799	Apparatus for and Methods of Sensing Evanescent Events in a Fluid Field
Donald R. Lyons	July 5, 2005	6,915,028	Apparatus for and methods of sensing evanescent events in a fluid field
Donald R. Lyons	May 23, 2006	7,050,661	Process to create artificial nerves for biomechanical systems using optical waveguide network
John L. Mack	June 17, 1986	4,596,041	Participant-identification recording and playback system
Jerome Nicholson	June 22, 1999	5,913,606	Bags
Jerome Nicholson	June 20, 2000	6,076,658	Toothpick holder
Jerome Nicholson	May 7, 2002	6,382,295	Mini-Blind/Curtain Rod Bracket
Traverse B. Pinn	Aug. 17, 1880	231,355	File Holder



Frank O. Price	Nov. 17, 1987	4,706,959	Quarter-back draw football
Debrilla M. Ratchford	June 13, 1978	4,094,391	Suitcase with wheels and transporting hook
Acie J. Sabb	Mar. 21, 1978	4,079,881	Picture Postcard
Clarence O. Smithea	Feb. 24, 1976	3,940,166	Auxiliary Retention Belt and Support Cushion for Seat of Open Vehicles
George B.D. Stephens	Sep. 11, 1956	2,762,377	Cigarette Holder and Ash Tray
Aiken C. Taylor	June 1, 1909	923,729	Invalid Bed



Aiken C. Taylor Step Ladder	June 10, 1913	1,064,693	Extension
Aiken C. Taylor	Feb. 8, 1916	1,171,367	Window
Aiken C. Taylor Strip	April 24, 1917	1,223,445	Weather
Aiken C. Taylor	May 15, 1917	1,226,145	Window
Aiken C. Taylor Proof Window Head	Dec. 3, 1918	1,286,445	Weather -
Aiken C. Taylor Bed	Dec. 31, 1918	1,289,959	Convertible
Aiken C. Taylor Pivoted Window Sash	Jan. 21, 1919	1,292,144	Lock for
Cleveland T. Tucker Starter	Sep. 29, 1981	4,291,653	Door Car
Willie L. Turner Shears	Jan. 31, 1984	4,428,119	De-ending

Endnotes

Inventor's residence is determined by the residence on the patent

*This inventor has multiple patents all of them may not be listed.

For additional patents for this inventor see

<http://www.uspto.gov/patft/index.html> or
<http://www.google.com/patents>.

Sources

Baker, Henry E. *The Colored Inventor*. Salem, NH: Ayer Company Publisher, 1913, Reprints Edition 1992.

Brown, Mitchell C. *African American Women Inventors: Historical: The Faces of Science: African American in the Sciences*.
http://www.princeton.edu/~mcbrown/display/women_inventors.html.
1995-2000.

Diggs, Irene. *Black Innovators*. Chicago, IL: Institute of Positive Education, 1975.

Gibbs, C. R. *Black Inventors: From Africa to America Two Million Years of Invention and Innovation*. Silver Spring, MD: Three Dimensional Publishing, 1995.

Inventions and Patents of African-Americans - 20th Century. St. Louis: St. Louis Public Library, <http://www.slpl.lib.mo.us/libsrc/inv20.htm>
Prepared by Velma L. Martin, Librarian. St. Louis Public Library, Dec., 1996 (accessed Jan. 24, 2007)

Mapp, Shannon H. *Black Miracles; the Miracles of Black Inventors and Scientists*. Asheville, NC: Purpose Publishing, 1998.

Negro Year Book: An Annual Encyclopedia of the Negro 1925-26. Edited by Monroe N. Work. Tuskegee Institute, AL: Negro Year Book Publishing Co., 1925.

Negro Year Book: A Review of Events Affecting Negro Life 1941-1946. Edited by Jessie ParkHurst Guzman. Tuskegee Institute, AL: Foote and Davies, Inc., 1947.

Negro Year Book: A Review of Events Affecting Negro Life 1952. Edited by Woodrow Hall, et al. WM H. Wise & Co., NY., 1952.

Simpson, Helen McWorter. *Makers of History*. Evansville, IN: Laddie B. Warren, 1981.

Sluby, Patricia Carter. *The Inventive Spirit of African Americans: Patented Ingenuity*. Westport, CT: Praeger, 2004.

Walker, Juliet. The History of Black Business in American: Capitalism, Race, Entrepreneurship. NY: Twayne's Evolution of Modern Business Series, 1998.

Webster, Raymond B. African American Firsts in Science and Technology. Farmington Hills, MI: Gale Group Inc., 1999.

Margaret J. Collins
Library Program Specialist
Patent and Trademark Depository Library
Illinois State Library
Gwendolyn Brooks Building
300 South Second Street
Springfield, IL 62701
217-782-5659
217-782-8432
Mcollins@ilsos.net

Jesse White
Illinois Secretary of State and State Librarian
10/3/2008 11:06:55 AM